

Costing Options		
External Upstand Dimensions:	Length (L)	
	Width (W)	
	Thickness (Z)	
	Pitch(°) if over 5°	
Colour RAL Ref & Gloss:	Standard (RAL 7015 Grey Matt)	
	Special Colour Request :	
Glazing Options:	Double	
	Triple	
Trickle Vent:		
Fixing Option:	Internal Fixing	
	External Fixing	
Low Modulus Silicone:		Yes / No
Approved For Manufacture By Customer		
PRINT		
SIGN		
DATE		

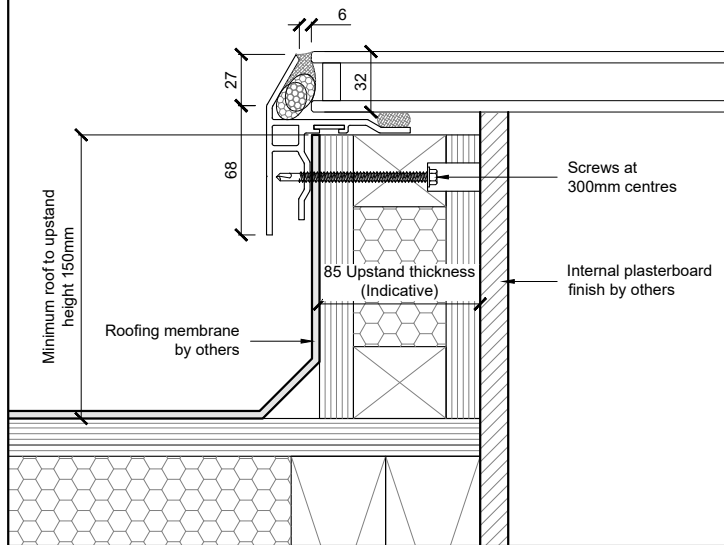
E			
D			
C			
B	04/12/18	JW	Admin updates
A	01/12/16	JW	First Issue
Rev	Date	Init.	Notes

Project AA Glazing System Slimglaze3			
Title Double Glazed Slimglaze3			
Scale 1:8 @ A4	Date 01/12/16	Drawn By JW	Revision B



Registered Office: AA Glazing Systems Ltd. Unit1 Mill Lane,  
Waterford Ind Est, Gt. Massingham, Norfolk. PE32 2HT  
Tel: 01485-520860 Fax: 01485-520861  
Email: sales@aaglazing.co.uk  
Registered in England and Wales company no. 4346652  
VAT No. 792 777 468

**Internal Fixing & Roof Membrane Option A**



**External Fixing & Roof Membrane Option B**

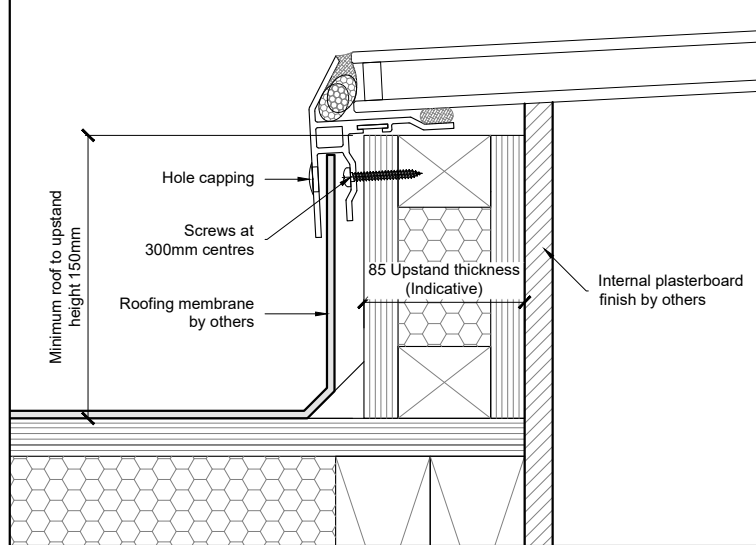
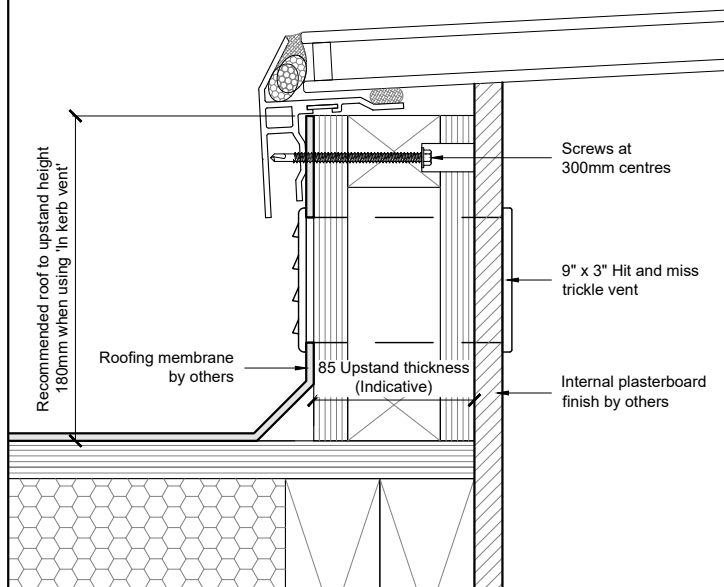


Photo of SG3

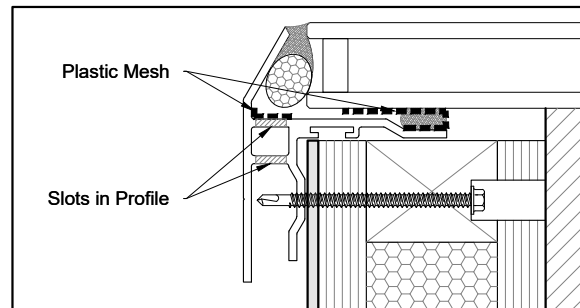


**'In Kerb' External Trickle Vent Option**



**Internal Trickle Vent Option**

Photo as Viewed from Outside



E			
D			
C			
B	04/12/18	JW	Admin Update
A	01/12/16	JW	First Issue
Rev	Date	Init.	Notes

Project AA Glazing System Slimglaze3			
Title Double Glazed Slimglaze3 Detail			
Scale	Date	Drawn By	Revision
NTS	01/12/16	JW	B



Registered Office: AA Glazing Systems Ltd. Unit1 Mill Lane,  
Waterford Ind Est, Gt. Massingham, Norfolk. PE32 2HT  
Tel: 01485-520860 Fax: 01485-520861  
Email: sales@aaglazing.co.uk  
Registered in England and Wales company no. 4346652  
VAT No. 792 777 468