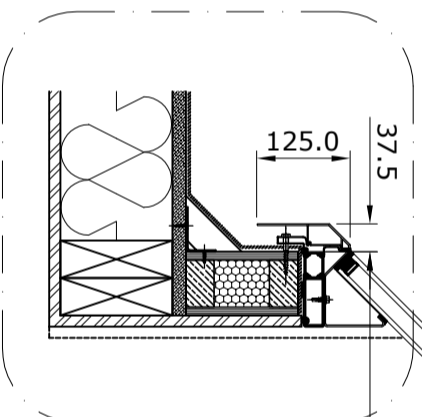
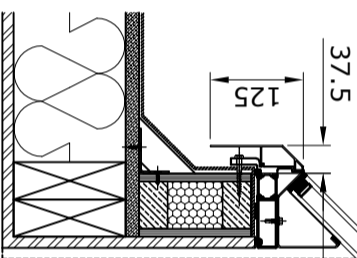


PLAN VIEW
FIXED LANTERN
SKYLIGHT



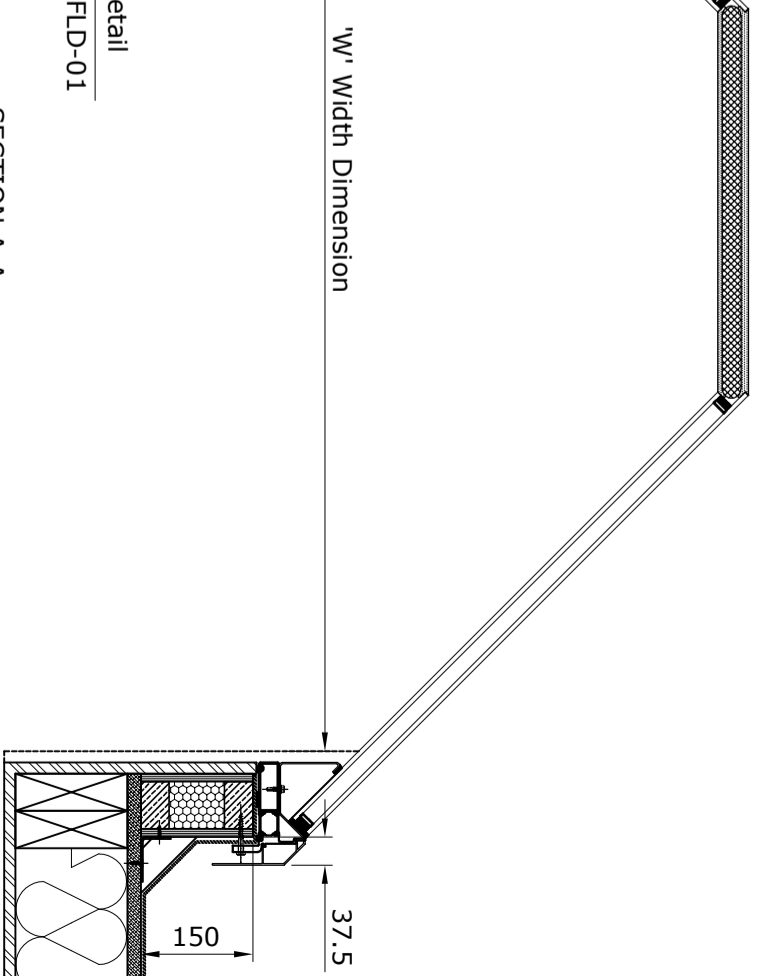
Kerb/Upstand Detail
See Drawing VR-FLD-01

SECTION A-A

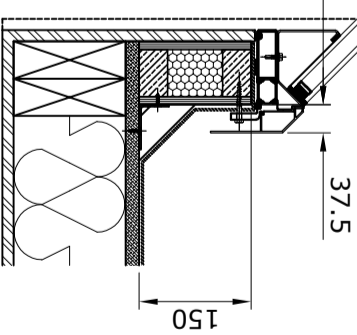


'H' Height Dimension

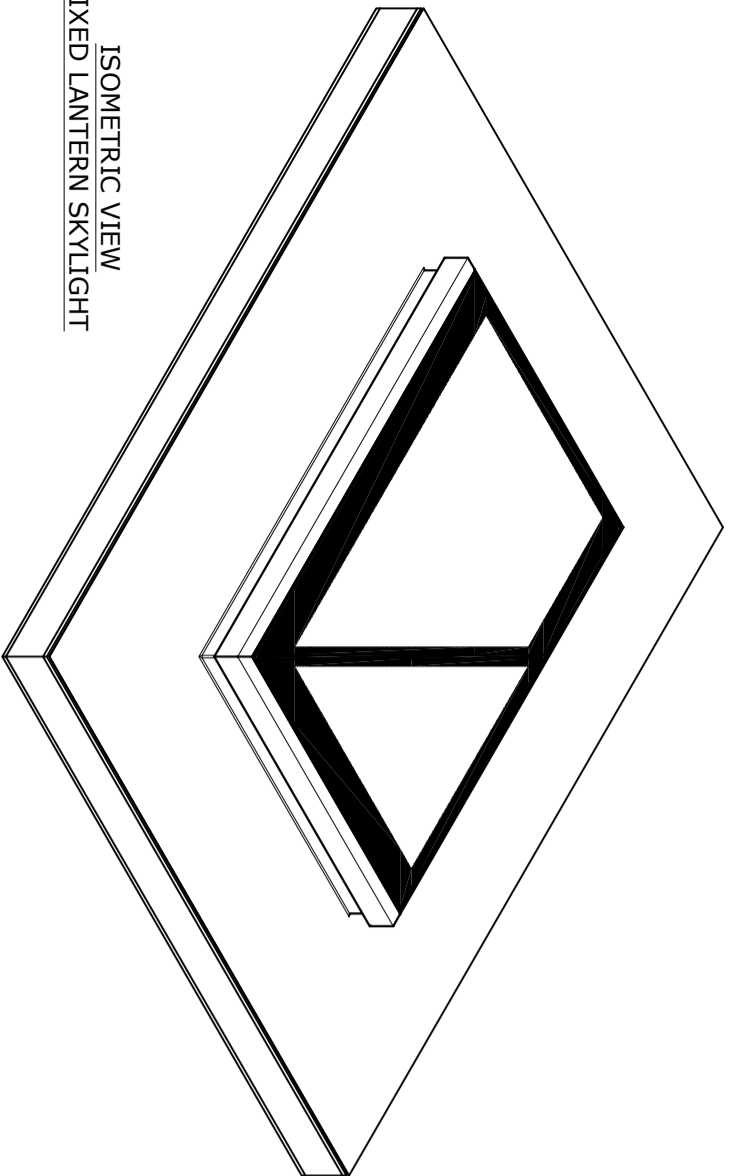
SECTION B-B



'W' Width Dimension



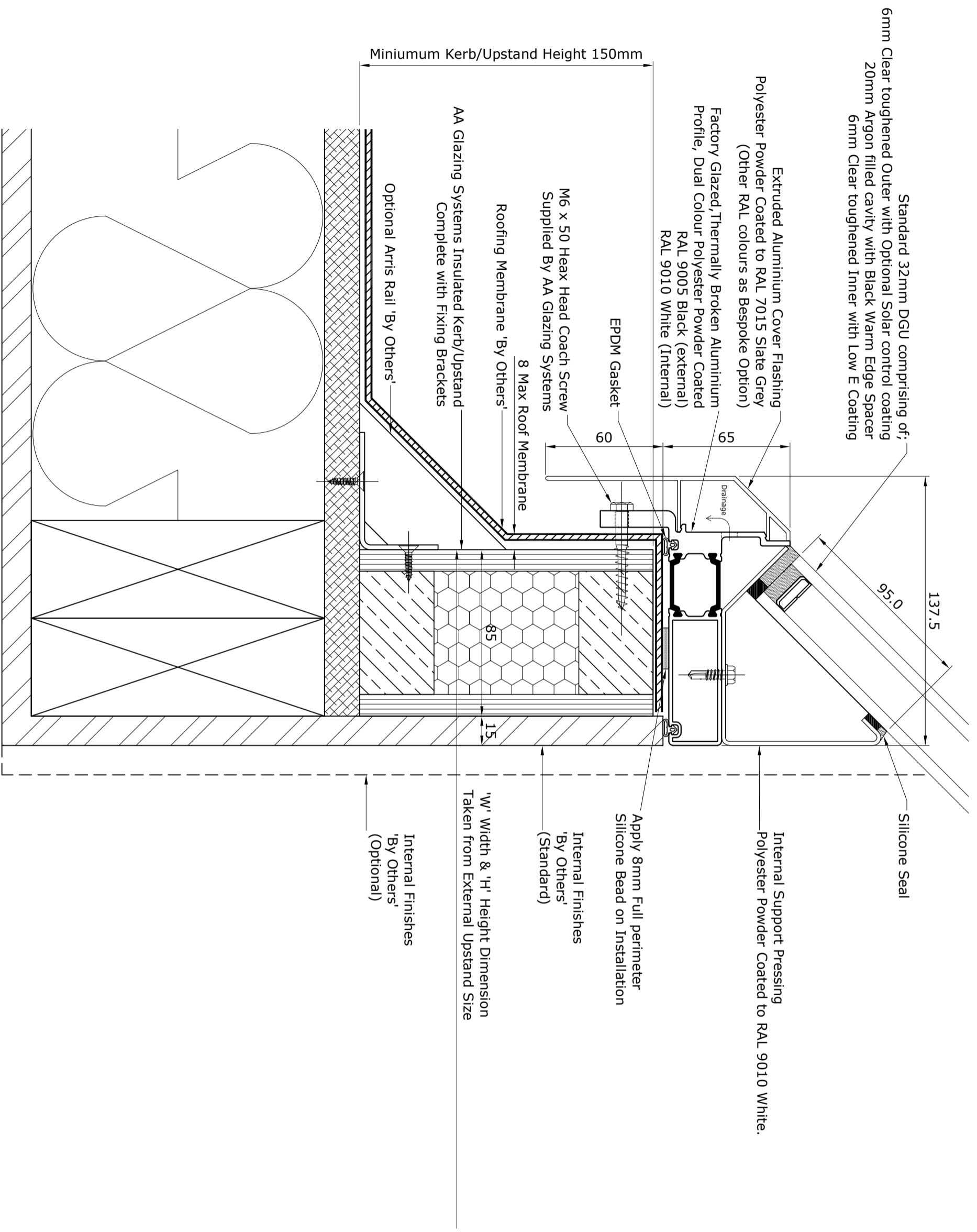
ISOMETRIC VIEW
FIXED LANTERN SKYLIGHT



Rev	Date	Int	Notes
B	12-07-16	JW	Admin Update
A	23-10-13	GSH	First Issue
Project Fixed Lantern			
Title Fixed Lantern			
Scale 1:10 @ A3		Drawn By/Status GSH	
Contract No		Revision B	



Registered Office: AA Glazing Systems Ltd, Unit 1 Mill Lane,
Waterford Ind Est, Gt. Massingham, Norfolk, PE32 2HT
Tel: 01485-520860 Fax: 01485-520861
Email: sales@aaaglazing.co.uk
Registered in England and Wales company no. 4346652
VAT No. 792 777 488



Standard 32mm DGU comprising of:
 6mm Clear toughened Outer with Optional Solar control coating
 20mm Argon filled cavity with Black Warm Edge Spacer
 6mm Clear toughened Inner with Low E Coating

Extruded Aluminium Cover Flashing
 Polyester Powder Coated to RAL 7015 Slate Grey
 (Other RAL colours as Bespoke Option)
 Factory Glazed, Thermally Broken Aluminium
 Profile, Dual Colour Polyester Powder Coated
 RAL 9005 Black (external)
 RAL 9010 White (Internal)

M6 x 50 Heax Head Coach Screw
 Supplied By AA Glazing Systems

AA Glazing Systems Insulated Kerb/Upstand
 Complete with Fixing Brackets

Optional Arris Rail 'By Others'

Silicone Seal

Internal Support Pressing
 Polyester Powder Coated to RAL 9010 White.

Apply 8mm Full perimeter
 Silicone Bead on Installation

Internal Finishes
 'By Others'
 (Standard)

'W' Width & 'H' Height Dimension
 Taken from External Upstand Size

Internal Finishes
 'By Others'
 (Optional)

Project	Fixed Lantern		
Title	Kerb / Upstand Section Detail		
Scale	1:10 @ A3		
Date	23-10-13		
Drawn By	GSH		
Status			
Contract No	VR-FLD-01		
Revision	B		
Rev	Date	Int	Notes
A	23-10-13	GSH	First Issue
B	12-07-16	JM	Admin Update



Registered Office: AA Glazing Systems Ltd, Unit Mill Lane,
 Waterford Ind Est, Gt. Massingham, Norfolk, PE32 2HT
 Tel: 01485-520860 Fax: 01485-520861
 Email: sales@aaaglazing.co.uk
 Registered in England and Wales, company no. 4346652
 VAT No. 792 777 488